

POWERCOOL™ POWER ATTIC VENTILATORS INSTALLATION INSTRUCTIONS / WARRANTY



Warning: Read all warning messages and instructions before starting installation of this fan. Failure to follow these safety instructions can result in injury or even death. If you need assistance in understanding these instructions or have questions or comments, please call 1 (309) 692-6969.

ELECTRICAL HAZARDS

Danger: The electrical installation and wiring of this fan must be done by a qualified electrician in accordance with all local codes and standards, including fire-rated construction. Failure to do the installation properly can result in fire or even death.

NOTE: A few hours of operation without apparent problems does not necessarily imply that the installation is safe.

Danger: Do not substitute a solid-state speed control for the thermostatically controlled on-off switch that comes with this fan. Use of a solid-state speed control can result in a fire causing injury or death.

Danger: Watch out for existing electrical wiring and other utility wires or pipes when selecting a location for the fan. Do not install the fan where there is electrical wiring in the way. Select another location or have a qualified electrician move the wiring to a different location.

Danger: Make sure the circuit breaker powering the circuit on which the fan will operate is turned OFF before wiring the thermostat. You can be shocked or electrocuted if the breaker is not off.

LACERATION HAZARDS

Danger: This fan has an unguarded fan blade. Do not use in locations which are readily accessible to people or animals. Do not let children play in an attic where this fan has been installed. Contact with this fan while in operation can result in injury or even death.

Danger: Switch the power off at the service panel and lock the service panel before servicing the motor. This fan is thermostatically controlled—it may start at any time if the power is not switched off at the service panel. Contact with the fan blades while the fan is operating can result in serious injury.

Warning: This product has sharp metal edges that can cut your hands. Wear canvas work gloves while handling the fan during installation.

OTHER HAZARDS

Danger: For general ventilating use only. Do not use to exhaust hazardous or explosive materials or vapors. Use of this fan to exhaust hazardous, explosive or flammable materials may result in a fire or explosion, causing injury or death.

CARBON MONOXIDE HAZARD

Danger: Carbon monoxide is a colorless, odorless gas that can kill. Carbon monoxide may be drawn into the house by the operation of this fan if your fuel-burning equipment is not properly maintained and vented **or** if you lack adequate attic venting.

You should check the flue of your hot water heater and furnace to see that the pipes are intact and sealed. Request an inspection from your fuel supplier (gas company or heating oil company) or from a municipal building inspector if you have any questions about the safety of your fuel-burning exhaust system.

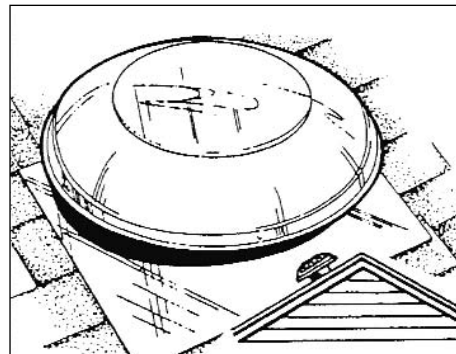
You must also check the number and size of your soffit vents. A total of at least 4.4 square feet (for Model BR28) or 3.9 square feet (for Model BR26) of unobstructed soffit venting must be available for safe operation of this ventilator. If you have less than the amount specified above, STOP and install additional vents before proceeding.

TOOLS NEEDED

Electric drill, tape measure, hammer and nails, utility knife and pencil, jig or sabre saw, roofing nails, Phillips screwdriver, adjustable wrench, wire cutter, work gloves and safety glasses.

1. POSITIONING THE POWER ATTIC VENTILATOR

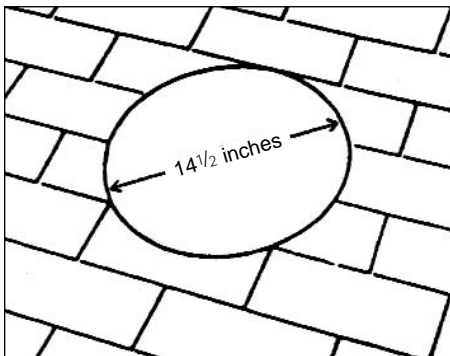
ON THE ROOF: Set the unit approximately in the center of the roof close to the ridgeline (as shown below). Position the ventilator so that the unit can only be seen from one side of the house.



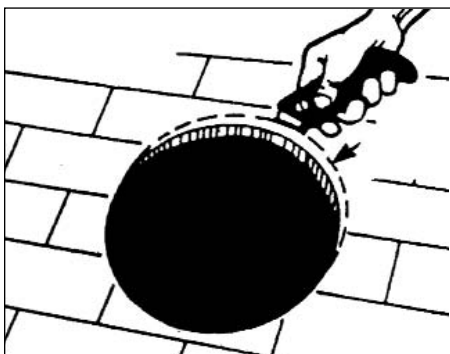
2. DRILLING THE GUIDE HOLE: Measure the distance to the ridgeline and to one end of the roof. Transfer these exterior dimensions to inside the attic. Next, locate a center position between two rafters (inside the attic) as near as possible to the outside measurements. Drill a guide hole through the roof from inside that is equal distance from the two rafters. Place a marker through the roof for quick identification while on the roof.



3. CUTTING THE HOLE: Draw a circle 14½" in diameter using the guidehole as the center. A template is provided on the back of the carton for drawing the circle.



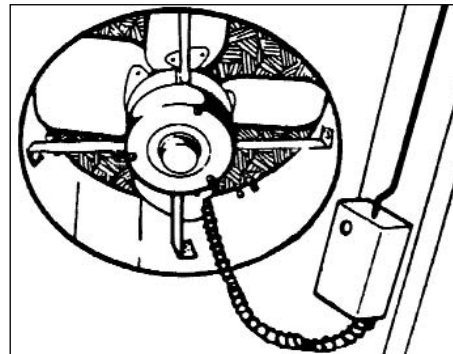
4. CUTTING THE HOLE IN THE ROOF: Using a sabre saw, cut and remove all roof shingles (and deck) inside the 14½"-diameter circle. Next, cut an extra 1" off the top half of the hole (shingles only) to allow room for placing and positioning the flange. Do not cut through any rafters. Cutting a rafter may cause your roof to sag.



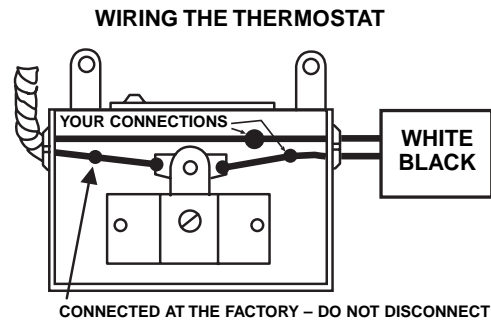
5. SECURING THE BASE: Make sure the base flange parallels the ridgeline of the roof. The embossed arrow and word UP should be pointing toward the ridgeline. Slip the upper half of the flange under the shingles.

Center unit over the hole. Attach flange securely to roof using roofing nails around the perimeter of the unit (underneath shingles at the top). A non-hardening caulk can be used as a seal between the flange and shingles.

6. INSTALLING THE THERMOSTAT: Inside the attic, separate the thermostat cover from the mounting plate. Secure the plate to a rafter. See Step 7 to connect the thermostat.



7. WIRING THE THERMOSTAT: Wire the thermostat as shown below. Attach your ground wire to the thermostat box.



Danger: The electrical installation and wiring of this fan must be done by a qualified electrician in accordance with all local codes and standards, including fire-rated construction. Failure to do the installation properly can result in fire or even death.

NOTE: A few hours of operation without apparent problems does not necessarily imply that the installation is safe.

Danger: Do not substitute a solid-state speed control for the thermostatically controlled on-off switch that comes with this fan. Use of a solid-state speed control can result in a fire causing injury or death.

Danger: Make sure the circuit breaker powering the circuit on which the fan will operate is turned OFF before wiring the thermostat. You can be shocked or electrocuted if the breaker is not off.

8. THERMOSTAT OPERATION: The thermostat operates on a temperature setting. Set the temperature dial to a 100 -110 degrees Fahrenheit setting. When the power ventilator is operational, the fan should start automatically when the attic temperature rises above the preset setting and cut off when the attic is cooled down to approximately 10% below the thermostat setting.

Danger: Switch the power off at the service panel and lock the service panel before servicing the motor. This fan is thermostatically controlled—it may start at any time if the power is not switched off at the service panel. Contact with the fan blades while the fan is operating can result in serious injury.

FIVE-YEAR LIMITED WARRANTY

Limited, non-prorated and transferable

Who and What Is Covered and for How Long

Provided that the products covered by this warranty have been installed in strict accordance with the Air Vent Inc. (Air Vent) written installation instructions and in accordance with all local codes and standards, including those pertaining to fire-rated construction, Air Vent warrants to the original purchaser or a subsequent owner of the property that the parts described in the following sentence are free from manufacturing defects for 5 (five) years from the date of purchase. This warranty covers the fan blade, motor, thermostat and housing.

Should any defect occur during the 5 (five)-year period following date of purchase, Air Vent will provide a replacement for that part deemed to be defective (but not including labor costs incurred in removing the part or installing the replacement part).

In the event of replacement according to the terms of this warranty, the original warranty shall apply to the replacement part and will extend for the balance of the warranty period in effect at the time the part proved defective.

Replacement Plus Protection

The Air Vent products to which this warranty applies are covered by Replacement Plus Protection for a period of 2 (two) years, provided that the products have been installed in strict accordance with Air Vent's written installation instructions and in accordance with all local codes and standards, including those pertaining to fire-rated construction. Under this warranty feature, Air Vent, at no charge, will replace any part covered by this warranty and found to be defective during the Replacement Plus period (the Replacement Plus period begins when the power vent installation is completed). Air Vent's maximum liability under Replacement Plus will be equal to the reasonable cost of the replacement part, including labor to remove the defective part and install the replacement part.

In instances in which Air Vent, according to the terms of this warranty, has agreed to pay the cost of labor required to replace a defective part, Air Vent will provide reimbursement only upon receipt of a copy of the contractor's invoice or other written evidence of the completion of the work which Air Vent, at its sole discretion, deems acceptable.

Transferability

If there is a change in ownership, the warranty may be transferred by the original purchaser of the power vent to the new owner under the terms and conditions of this warranty. The warranty will then cover the period of 5 (five) years following the purchase of the power vent.

If the warranty is transferred from the original purchaser to a new owner during the 2 (two)-year Replacement Plus period, the remaining period of Replacement Plus Protection will be available to the subsequent property owner. At the end of the Replacement Plus period, the warranty will cover 3 (three) years following the purchase of the power vent.

Limitations

Air Vent shall not be liable for, and this warranty does not apply to, any failure, defect or damage resulting from or connected with misuse, abuse, neglect or improper handling or storage, or installation not in strict adherence to Air Vent's written instructions. Air Vent reserves the right to discontinue or modify any of its products, including color, and shall not be liable as a result of such discontinuance or modification. If Air Vent replaces any part under this warranty, it may substitute parts designated by Air Vent to be of comparable quality or price range in the event the product initially installed has been discontinued or modified.

Other Conditions

This warranty is expressly in lieu of all other oral or written warranties, liabilities or obligations of Air Vent. Pertinent state law shall control for what period of time subsequent to sale a consumer/homeowner may seek a remedy pursuant to the implied warranty of merchantability or fitness for a particular purpose. In no event shall Air Vent be liable for

consequential or incidental damages of any kind, including any damage to the building, its contents or any persons therein, resulting from the breach of any warranty set forth herein. No field representative of Air Vent or any distributor or dealer is authorized to make any change or modification to this warranty. Some states do not allow limitations on or the exclusion of incidental or consequential damages, so the above exclusions may not apply to you.

This warranty gives you specific legal rights, and you may also have other rights that vary from state to state.

What the Customer Must Do

If you believe any part is defective, call 1-800-527-1924 for Customer Service. If it's determined that parts need to be returned to Air Vent they must be shipped freight prepaid to Air Vent, 3000 West Commerce Street, Dallas, Texas 75212. Air Vent shall then promptly inspect the claimed defect before the furnishing of any replacement part is approved, and Air Vent shall, within a reasonable time after approval, provide the replacement part under the terms of the warranty. This warranty is effective on all power vents installed on or after August 1, 1995.

Air Vent Inc.
3000 West Commerce
Dallas, TX 75212



3000 West Commerce, Dallas, TX 75212
309-692-6969 FAX: 1-800-635-7006
www.airvent.com

