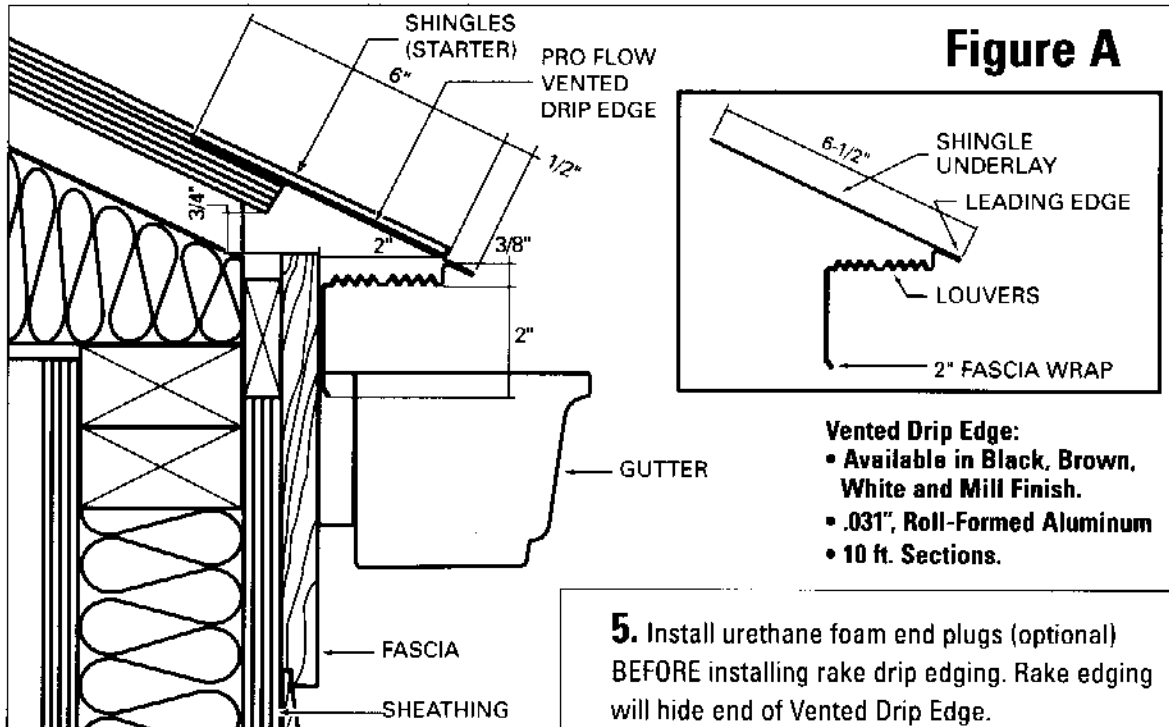


Pro Flow™ VENTED DRIP EDGE

INSTALLATION

NEW CONSTRUCTION FOR USE ON ROOF PITCHES 3/12 TO 12/12



To assure proper installation, please read these easy step-by-step instructions first. Refer to Figure A for measurements.

- 1.** Install fascia or frieze board allowing at least 3/4" air space between underside of roof deck and top of fascia/frieze board.
- 2.** Test place a section of Vented Drip Edge for proper fit. Shingle underlay should rest on top of roof deck; fascia wrap flush with fascia/frieze board; louvers parallel to ground.
- 3.** Mark where top edge of shingle underlay reaches on roof deck and bottom edge of fascia wrap reaches on fascia. Snap a chalk line along the entire length of roof.
- 4.** Using chalk line as a guide, nail shingle underlay over rafters. Then nail fascia wrap to fascia, spacing nails no closer than 16".

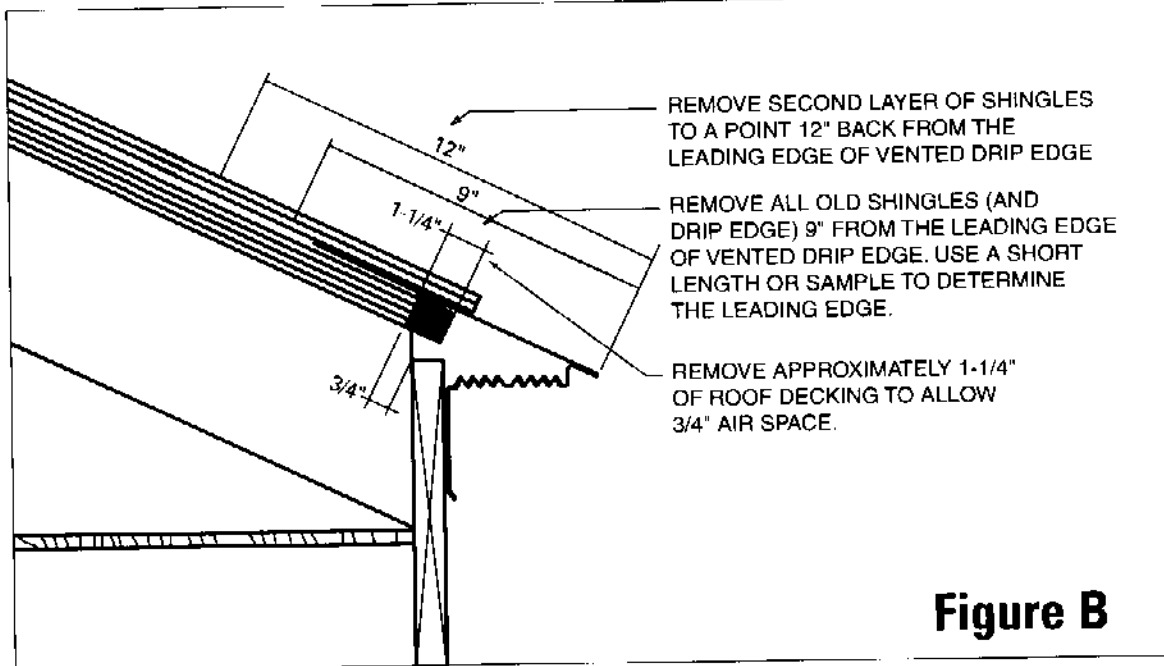
- 5.** Install urethane foam end plugs (optional) BEFORE installing rake drip edging. Rake edging will hide end of Vented Drip Edge.
- 6.** To begin shingling, hang starter strip (shingle) over Vented Drip Edge. To prevent blow-off, caulk starter strip to Vented Drip Edge.

NOTE: On hip roofs, Vented Drip Edge may be installed around the entire roof or just on the long sides. On gable roofs, install on BOTH sides for proper intake balance.

SPECIAL INSTALLATION NOTES

- Vented Drip Edge works best without a gutter. If a gutter will be used, follow these notes listed below.
 - a.) Position Vented Drip Edge so that the louver section is always below top of fascia.
 - b.) Be sure there is 1-1/4" space between Vented Drip Edge and the top of the gutter to minimize blockage due to gutter backup.
 - c.) Remind homeowners that gutters should be cleaned out regularly.

EXISTING ROOFS (ADDING VENTED DRIP EDGE ONLY, NO REROOFING)



To assure proper installation, please read these easy step-by-step instructions first. Refer to Figure B for measurements.

- 1.** If desired, cut a small sample (3-5") of Vented Drip Edge to use as a guide.
- 2.** Remove existing drip edge (if any) by carefully lifting shingles and removing nails. Use sample guide to make sure Vented Drip Edge will fit properly. If there is a gutter, this check will also show if gutter is low enough. If not, gutter must be removed and reinstalled.
- 3.** Check to see if there is at least 3/4" air space between top of fascia and roof deck. If not, remove fascia and trim away enough to allow at least 3/4" air space.

- 4.** Reinstall fascia. Then slip the shingle underlay of Vented Drip Edge under shingles and felt. If nails interfere, cut with a sabre saw. Fascia wrap should be flush with fascia board. In some cases it may be necessary to bend the fascia wrap and/or shingle underlay for proper fit. Louvers should always remain parallel to the ground.
- 5.** Nail shingle underlay of Vented Drip Edge to rafters. Nail fascia wrap to fascia, spacing nails no closer than 16".
- 6.** Run Vented Drip Edge the full length of the roof. Overlap section ends to "mate" Louvers for best appearance.
- 7.** Reseal existing shingles to Vented Drip Edge with caulk.

For special instructions not described in this publication, please call 800-AIR-VENT.



3000 W Commerce
Dallas, TX 75212
1-800-AIR VENT
FAX: 1 800 635-7006
www.airvent.com

Application procedures and conditions are beyond the control of the manufacturer and/or seller of Air Vent Vented Drip Edge, and for this reason neither manufacturer nor seller can be responsible for failure of the product when not used according to instructions and specifications.