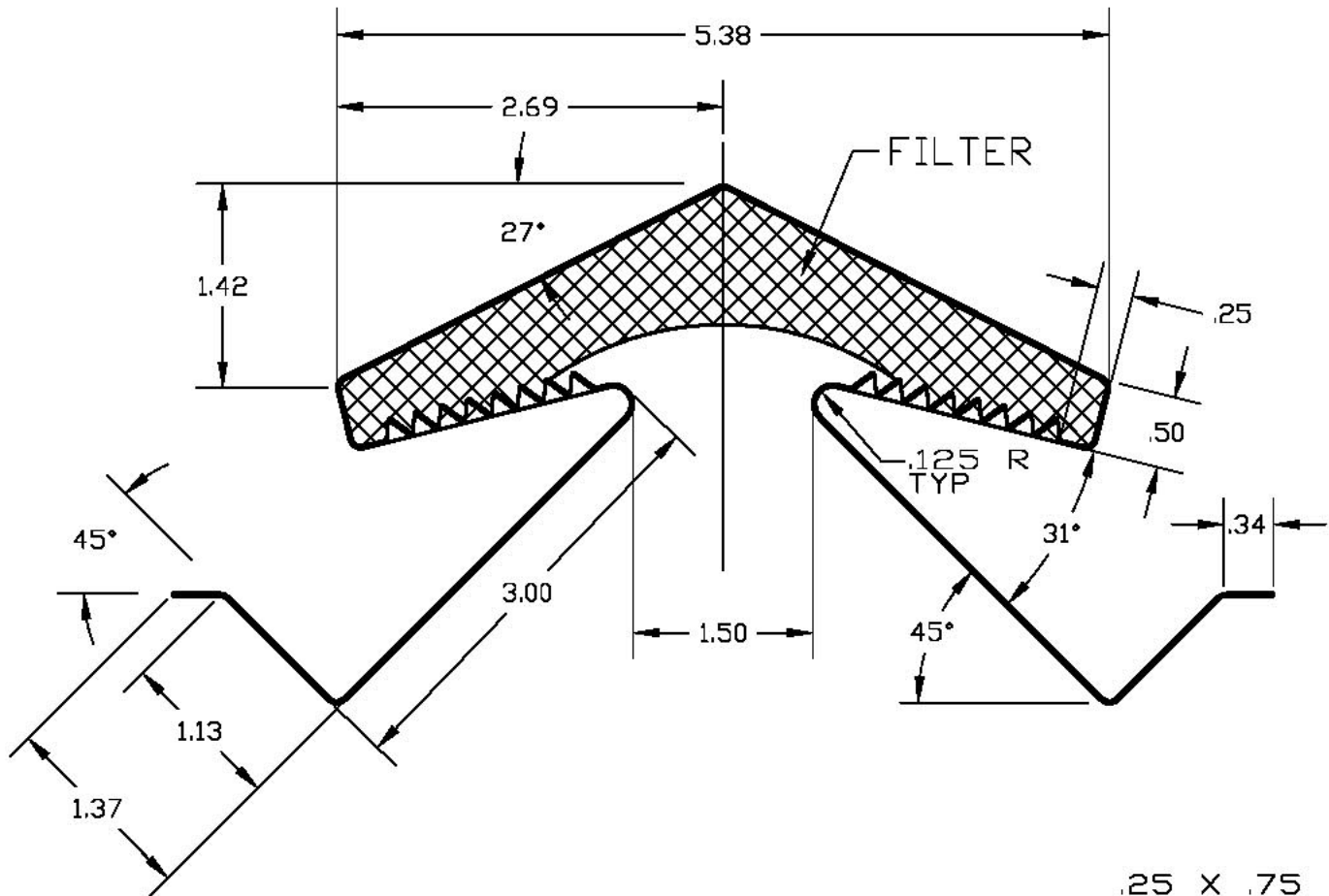


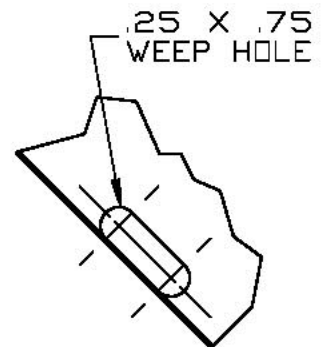
FILTER SPECS:  
 AMERICAN AIR FILTER 1/2" STANDARD BLUE TINT  
 FIBER MEDIA, 5" ±1/8" WIDE X 3/8" TO 5/8"  
 THICK, 6 TO 9 GRAMS PER SQUARE FOOT DENSITY.




ALL BEND RADII TO BE .0625 R  
 UNLESS OTHERWISE SPECIFIED

PROVIDES 18 SQ. INCHES  
 NET FREE AREA PER LINEAR FOOT

FOR 3/12 TO 12/12 ROOF PITCHES



				THE INFORMATION HEREON IS THE PROPERTY OF AIR VENT, A CERTAINTEED COMPANY. ANY USE EXCEPT THAT FOR WHICH IT IS LOANED IS PROHIBITED.			
DATE	MATERIAL	DWN BY	SCALE				
01-03-02	.019 STUCCO EMBOSSED ALUMINUM	J.FIGUEROA	NONE	APPROVED			
TITLE							
MULTI-PITCH FILTERVENT							
TOLERANCES (EXCEPT AS SHOWN)				DRAWING NUMBER			
.040 1 PLACE DIM'S.				C-13515 ( 8 ft. )			
.020 2 PLACE DIM'S.				C-13514 ( 10 ft. )			
.010 3 PLACE DIM'S.							